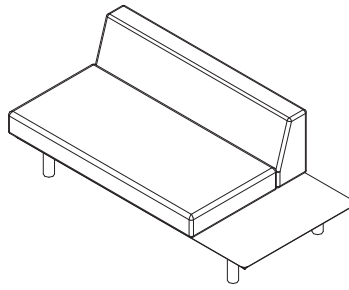


/



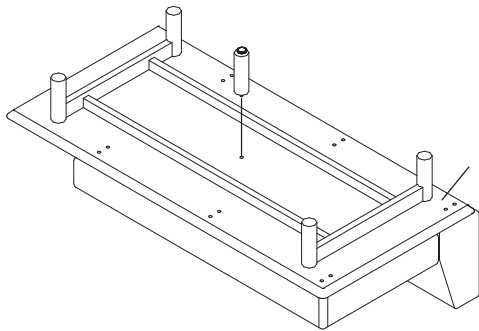
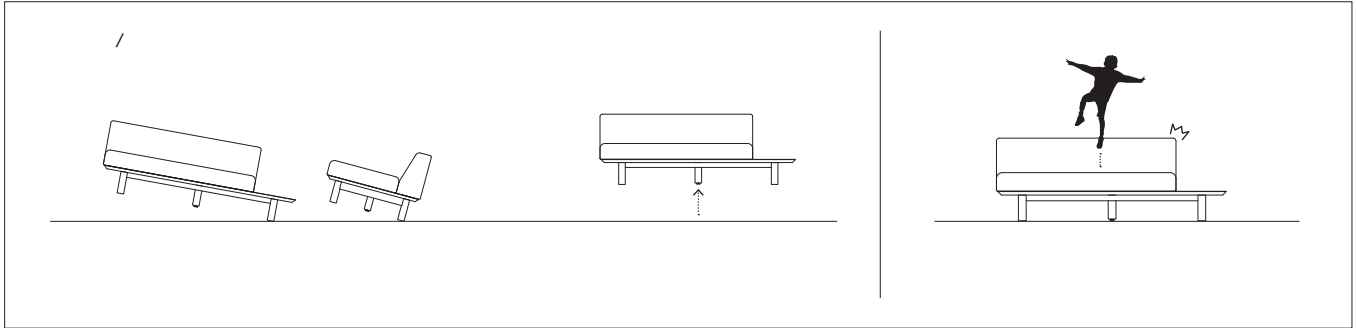
④



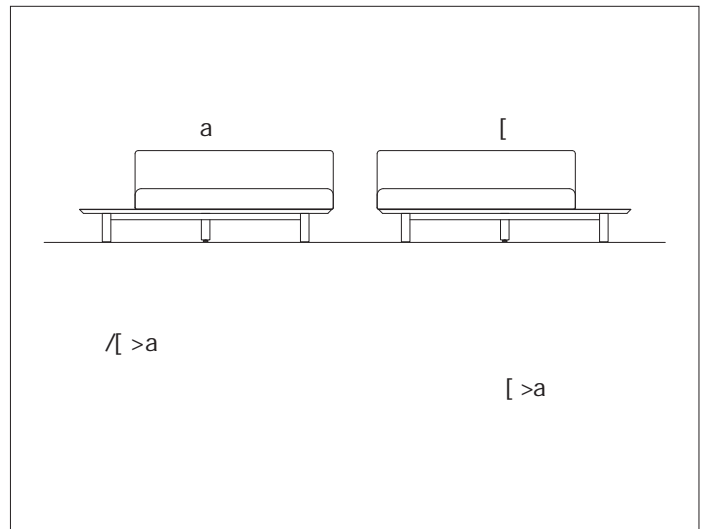
/

/ A

/

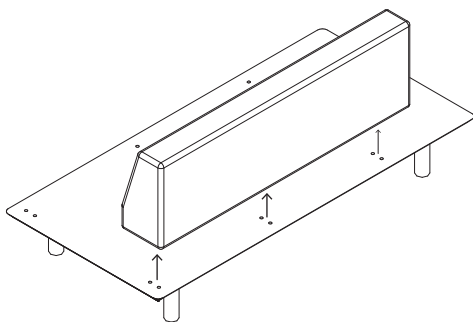


/



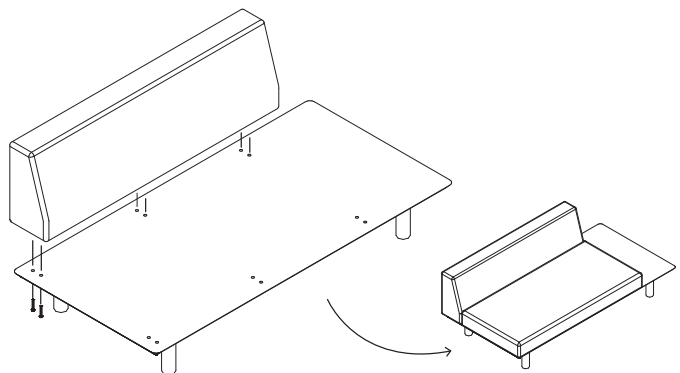
/ [ > a

[ > a



/ [ > a

@ =



A =

E